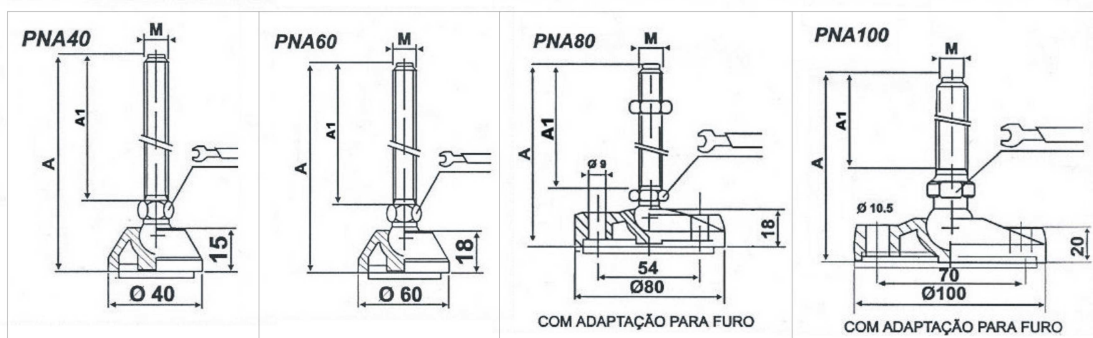




COMERCIO DE ELEMTS DE FIX. E VEDAÇÃO LTDA

**Consulte-nos sobre medidas especiais.**

**BASE** -Material feito em Poliamida reforçada c/ fibra de vidro.  
**PINO** - Roscado de ( AÇO CARBONO - 1020/1045 Zincado Brilhante ou INOX - AISI - 304/316  
**ANTIVIBRATÓRIO** - de borracha na dureza de 65/70 - Shore resistente a óleo - *opcional*.  
**APLICAÇÃO** - Máquinas, Esteiras, Transportadores, Móveis e diversos tipos de Equipamentos  
**NOTA** - A articulação permite o nivelamento correto em pisos irregulares e as cargas aqui recomendadas são para condições estáticas, com apoio da borracha-antiderrapante poderá reduzir vibrações.



BASE Ø	CÓD. NORMAL FEZN	CÓD. C/ ANTIVIB. FEZN	CÓD. NORMAL INOX	CÓD. C/ ANTIVIB. INOX	M ROSCA	A mm	A1 mm	KGf
40	PNA400870F	PNA/A400870F	PNA400870I	PNA/A400870I	8	70	50	400
40	PNA4008100F	PNA/A4008100F	PNA4008100I	PNA/A4008100I	8	100	80	400
40	PNA401070F	PNA/A401070F	PNA401070I	PNA/A401070I	10	70	50	500
40	PNA4010100F	PNA/A4010100F	PNA4010100I	PNA/A4010100I	10	100	80	500
40	PNA401270F	PNA/A401270F	PNA401270I	PNA/A401270I	12	70	50	600
40	PNA4012100F	PNA/A4012100F	PNA4012100I	PNA/A4012100I	12	100	80	600
40	PNA4014100F	PNA/A4014100F	PNA4014100I	PNA/A4014100I	14	100	80	600
40	PNA4016100F	PNA/A4016100F	PNA4016100I	PNA/A4016100I	16	100	80	700
60	PNA6008100F	PNA/A6008100F	PNA6008100I	PNA/A6008100I	8	100	80	500
60	PNA6010100F	PNA/A6010100F	PNA6010100I	PNA/A6010100I	10	100	80	600
60	PNA601270F	PNA/A601270F	PNA601270I	PNA/A601270I	12	70	50	700
60	PNA6012100F	PNA/A6012100F	PNA6012100I	PNA/A6012100I	12	100	80	700
60	PNA6012150F	PNA/A6012150F	PNA6012150I	PNA/A6012150I	12	150	130	700
60	PNA6014100F	PNA/A6014100F	PNA6014100I	PNA/A6014100I	14	100	80	800
60	PNA6016100F	PNA/A6016100F	PNA6016100I	PNA/A6016100I	16	100	80	900
60	PNA6016150F	PNA/A6016150F	PNA6016150I	PNA/A6016150I	16	150	130	900
80	PNA8010100F	PNA/A8010100F	PNA8010100I	PNA/A8010100I	10	100	80	600
80	PNA8012100F	PNA/A8012100F	PNA8012100I	PNA/A8012100I	12	100	80	800
80	PNA8014100F	PNA/A8014100F	PNA8014100I	PNA/A8014100I	14	100	80	800
80	PNA801670F	PNA/A801670F	PNA801670I	PNA/A801670I	16	70	50	900
80	PNA8016100F	PNA/A8016100F	PNA8016100I	PNA/A8016100I	16	100	80	1000
80	PNA8016150F	PNA/A8016150F	PNA8016150I	PNA/A8016150I	16	150	130	1000
80	PNA8020100F	PNA/A8020100F	PNA8020100I	PNA/A8020100I	20	100	80	1100
80	PNA8020150F	PNA/A8020150F	PNA8020150I	PNA/A8020150I	20	150	130	1100
100	PNA10016100F	PNA/A10016100F	PNA10016100I	PNA/A10016100I	16	100	80	1200
100	PNA10016150F	PNA/A10016150F	PNA10016150I	PNA/A10016150I	16	150	130	1200
100	PNA10016200F	PNA/A10016200F	PNA10016200I	PNA/A10016200I	16	200	180	1200
100	PNA10020100F	PNA/A10020100F	PNA10020100I	PNA/A10020100I	20	100	80	1500
100	PNA10020150F	PNA/A10020150F	PNA10020150I	PNA/A10020150I	20	150	130	1500
100	PNA10020200F	PNA/A10020200F	PNA10020200I	PNA/A10020200I	20	200	180	1500
100	PNA10024150F	PNA/A10024150F	PNA10024150I	PNA/A10024150I	24	150	130	2000
100	PNA10024200F	PNA/A10024200F	PNA10024200I	PNA/A10024200I	24	200	180	2000
100	PNA10024250F	PNA/A10024250F	PNA10024250I	PNA/A10024250I	24	250	230	2000
100	PNA10030250F	PNA/A10030250F	PNA10030250I	PNA/A10030250I	30	250	230	2500

R:JOSE SERRA,383-A/JD:DAS FLORES CEP:04904-220 SÃO PAULO-SP