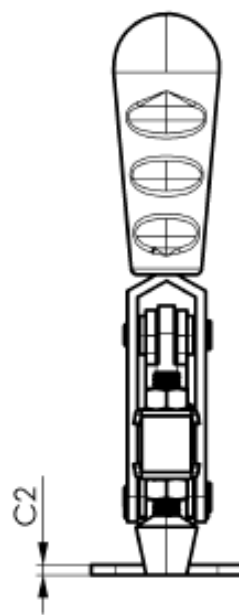
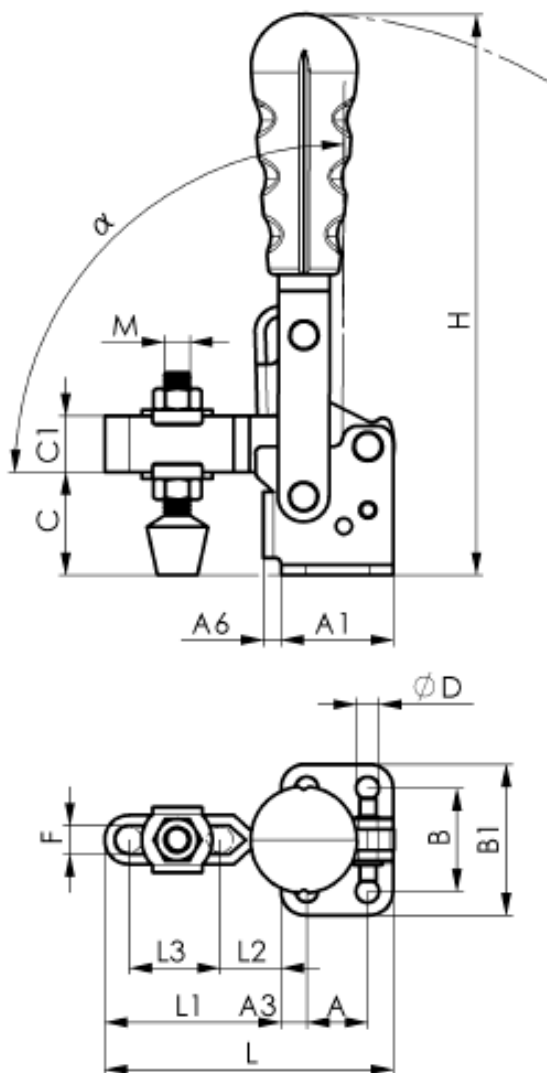


Vertical Toggle Clamp

Horizontal mounting



Characteristics:

- Anti-twist bushings except A9201U
- Stainless steel rivets
- Galvanized and passivated
- Medium resistant plastic handle
- Safety clamping piece
- Extended clamping arm guiding
- In open Position large space for hand

Standard accessory:

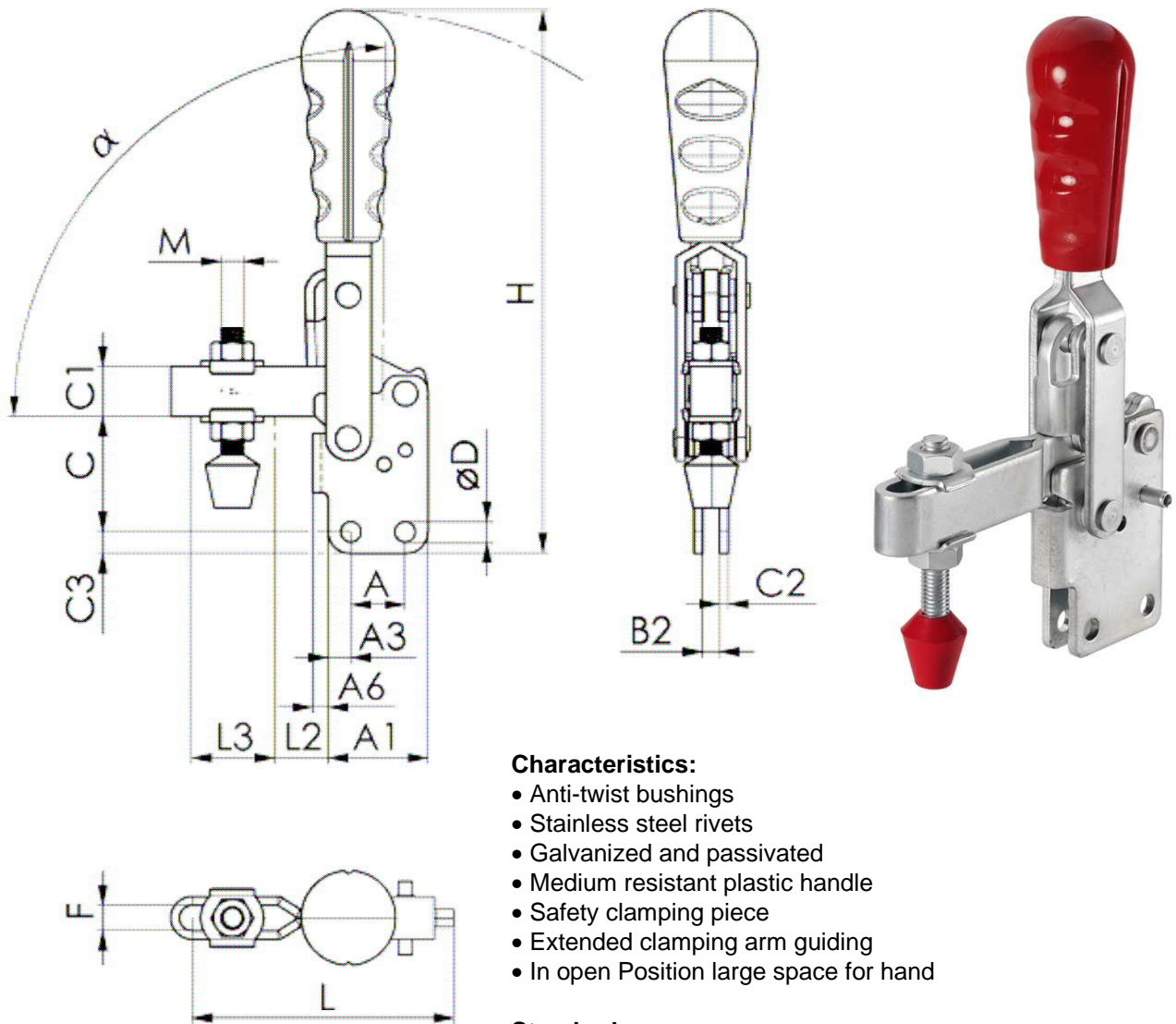
- Clamping spindle

Order no.	Article no.	A	A1	A3	A6	B	B1	C	C1	C2	D	F
390047	A9201U	16	26	5	-	23,4	33,4	19	8	2	4,4	5
390054	A9202U	12,7	27	7	-	26,9	37,9	23	11	3	5,1	6
390062	A9207U	19	35	8	5,5	32	47	32	17,5	3,2	7,1	8,9
390070	A9210U	32	50	9	10	45	64	42	22	4	8,3	10,6
391789	A9247U	32	50,8	9,5	12,2	45	64	51	22,5	3	8,7	13,4

Order no.	Article no.	H	L	L1	L2	L3	M	α	Holdingforce [N]	Weight [kg]
390047	A9201U	77	50,4	24,4	3,5	16,4	M5	67,4°	450	0,05
390054	A9202U	111	69,9	42,9	15	21,5	M6	93°	1500	0,19
390062	A9207U	175	90	55	19	28	M8	90,4°	2500	0,38
390070	A9210U	218	143	92,8	23	60,5	M10	90°	3400	0,81
391789	A9247U	224	176	125	31	82,5	M12	101°	3600	1,1

Vertical Toggle Clamp

Vertical mounting



Characteristics:

- Anti-twist bushings
- Stainless steel rivets
- Galvanized and passivated
- Medium resistant plastic handle
- Safety clamping piece
- Extended clamping arm guiding
- In open Position large space for hand

Standard accessory:

- Clamping spindle

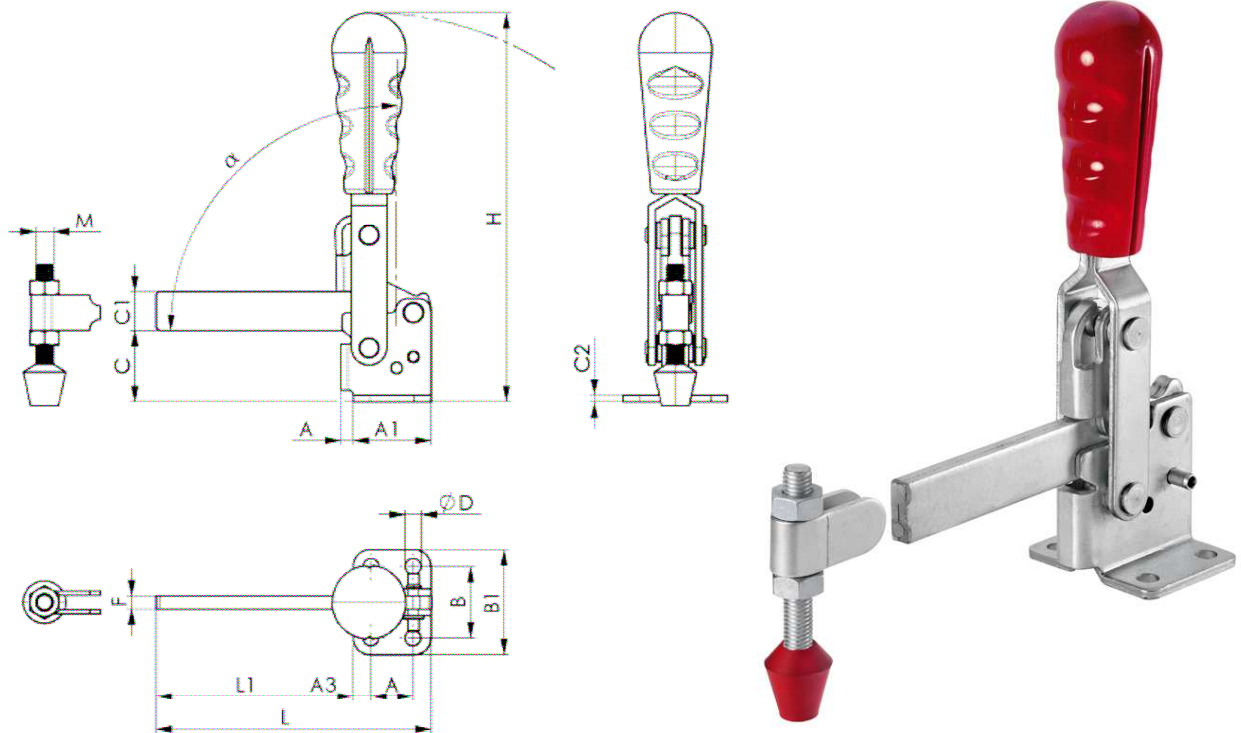
Order no.	Article no.	A	A1	A3	A6	B2	C	C1	C2	C3	øD	F
391698	A9202UB	12,7	27	7	6,7	6	28,5	11	3	5,5	5,2	6,2
391714	A9207UB	19	35	8	5,5	6	40,4	17,5	3	7,5	7,1	8,9
391730	A9210UB	32	50	9	10	8	54,5	22	4	9,5	8,3	10,6
391755	A9247UB	31,8	50,8	9,5	12,2	10	57,4	22,5	5	9,5	8,7	13,4

Order no.	Article no.	H	L	L1	L2	L3	M	α / α*	Holdingforce [N]	Weight [kg]
391698	A9202UB	122	71,2	43	8,3	21,7	M6	93°	1100	0,16
391714	A9207UB	190	90,2	55,2	18,8	29,2	M8	91°	1700	0,38
391730	A9210UB	240	142	92,8	12,3	62	M10	90°/ 115°	2800	0,6
391755	A9247UB	240	179	125	20	81,4	M12	101°/ 129°	3600	1,1

* = Alternative opening angle by relocating the stop pin

Vertical Toggle Clamp

With solid bar and horizontal mounting



Characteristics:

- Anti-twist bushings
- Stainless steel rivets
- Galvanized and passivated
- Medium resistant plastic handle
- Safety clamping piece
- Extended clamping arm guiding
- In open Position large space for hand

Standard accessory:

- Clamping spindle
- Spindle holder

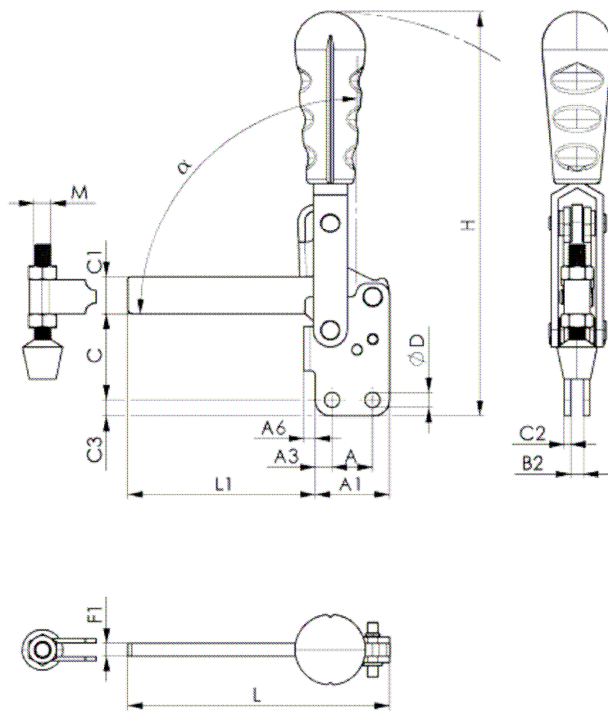
Order no.	Article no.	A	A1	A3	A6	B	B1	C	C1	C2	øD
391722	A9207S	19	35	8	5,5	32	47	32	17,5	3	7,1
391748	A9210S	32	50	9	10	45	64	42	22	4	8,3
391763	A9247S	31,8	50,8	9,5	12,2	45,2	64,2	50,8	22,5	8	8,7

Order no.	Article no.	F1	H	L	L1	M	α / α^*	Holdingforce [N]	Weight [kg]
391722	A9207S	6	175	123	88,4	M8	90°	2000	0,38
391748	A9210S	8	218	141	91	M10	90°	3400	0,6
391763	A9247S	10	224	176	125	M12	103°/ 112°	4500	1,1

* = Alternative opening angle by relocating the stop pin

Vertical Toggle Clamp

With solid bar and vertical mounting



Characteristics:

- Anti-twist bushings
- Stainless steel rivets
- Galvanized and passivated
- Medium resistant plastic handle
- Safety clamping piece
- Extended clamping arm guiding
- In open Position large space for hand

Standard accessory:

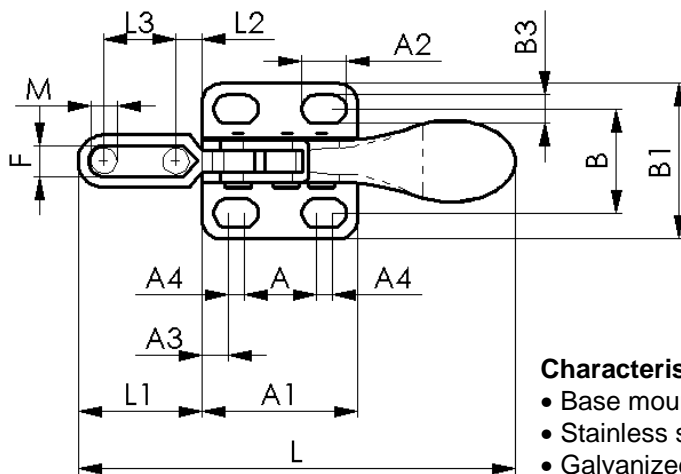
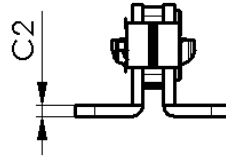
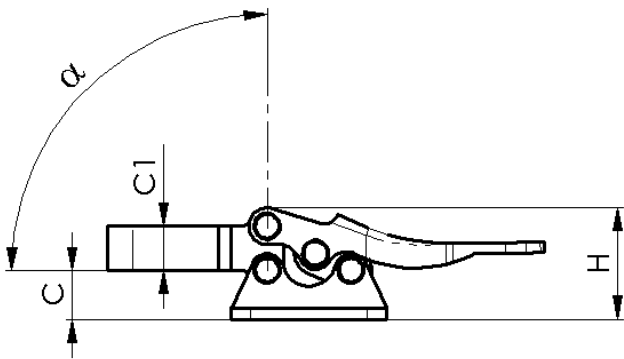
- Clamping spindle
- Spindle holder

Order no.	Article no.	A	A1	A3	A6	B2	C	C1	C2	C3	ϕD
391771	A9207SB	19	35	8	5,5	6	40,4	17,5	3	7,5	7,1
391797	A9210SB	32	50	9	10	8	54,5	22	4	9,5	8,3
391813	A9247SB	32	51	9,5	12,2	10	57,4	22,5	5	9,5	8,7

Order no.	Article no.	F	H	L	L1	M	α	Holdingforce [N]	Weight [kg]
391771	A9207SB	6	190	123	88,4	M8	90°	2000	0,38
391797	A9210SB	8	240	141	90	M10	90°	3400	0,6
391813	A9247SB	10	240	176	125	M12	103°	4500	1,1

Horizontal Toggle Clamp

Horizontal mounting



Characteristics:

- Base mounting
- Stainless steel rivets
- Galvanized and passivated
- Medium resistant plastic handle
- Bent lever

Standard accessory:

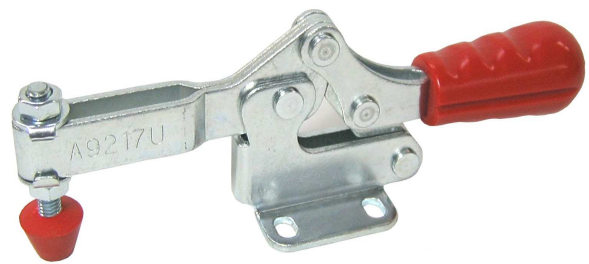
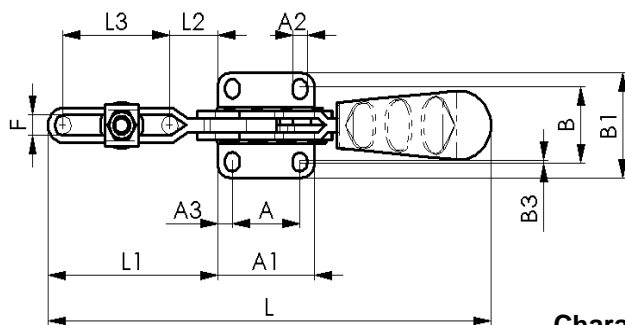
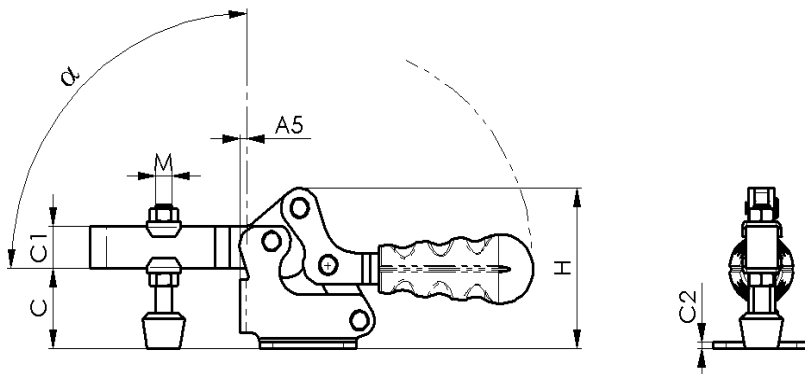
- Clamping spindle

Order no.	Article no.	A	A1	A2	A3	B	B1	B3	C	C1	C2	F
390104	A9205U	11,1	24	6,8	4	16	23,8	4,4	7,4	6,8	1,6	4,8

Order no.	Article no.	H	L	L1	L2	L3	M	α	Holdingforce [N]	Weight [kg]
390104	A9205U	17	68	21	5	12	M4	87°	380	0,03

Horizontal Toggle Clamp

Horizontal mounting



Characteristics:

- Anti-twist bushings except A9213U
- Stainless steel rivets
- Galvanized and passivated
- Ergonomic plastic handle, medium resistant
- Safety clamping piece
- Extended clamping arm guiding

Standard accessory:

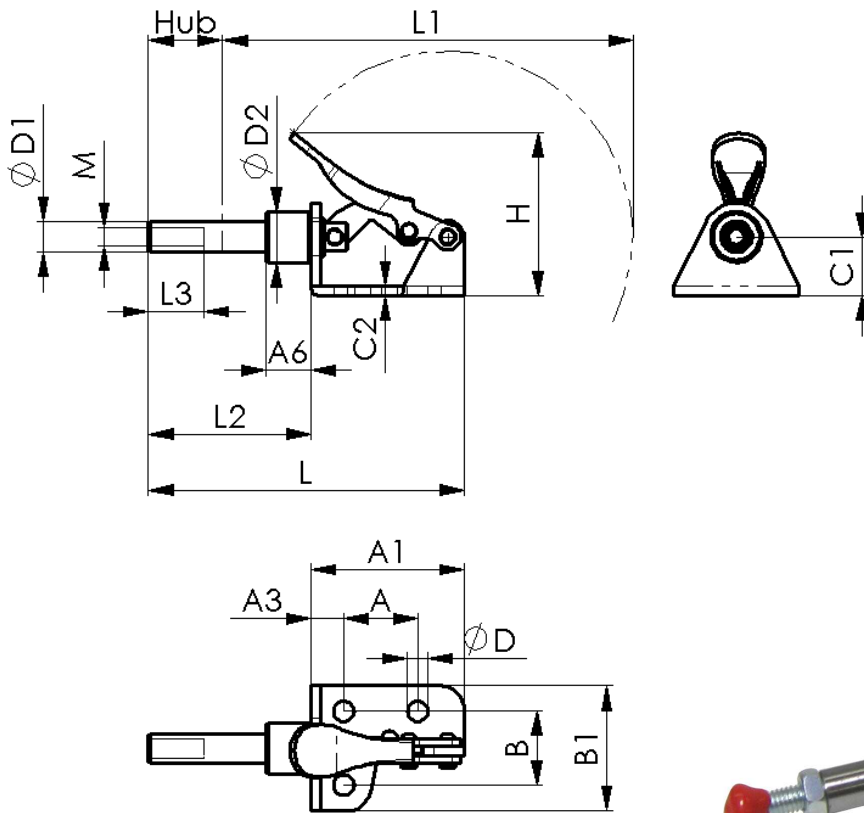
- Clamping spindle

Order no.	Article no.	A	A1	A2	A3	B	B1	B3	C	C1	C2	F
390112	A9213U	13,5	25	5,2	5,7	19	27	-	19	9,5	2	5,8
390120	A9217U	26	38	5,5	6	28	40	3	25	14	2,5	6,2
390138	A9227U	26	42	6,6	8	31	47	2,5	34	17,5	3	9
390146	A9237U	41,2	59	8,7	9	43	59	1,8	45	23,8	4	11,4

Order no.	Article no.	H	L	L1	L2	L3	M	α	Holdingforce [N]	Weight [kg]
390112	A9213U	38,2	105	36,8	12	20	M5	94°	700	0,07
390120	A9217U	52,6	162	61,4	19	36,5	M6	96°	900	0,23
390138	A9227U	68,5	189	66,3	22	36,8	M8	95°	2200	0,43
390146	A9237U	90	269	103	28,5	64,8	M10	95°	3400	0,91

Straight line action Clamp

Horizontal mounting



Characteristics:

- Base mounting
- Push rod with internal thread
- Stainless steel rivets
- Galvanized and passivated
- Medium resistant plastic handle
- Push rod fine ground

Standard accessory:

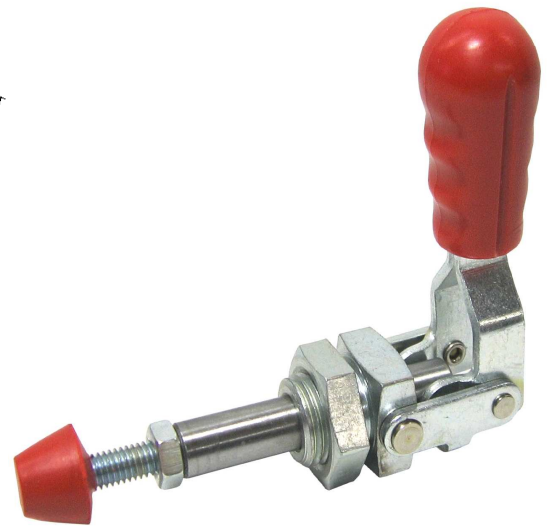
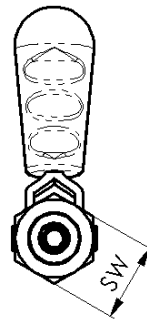
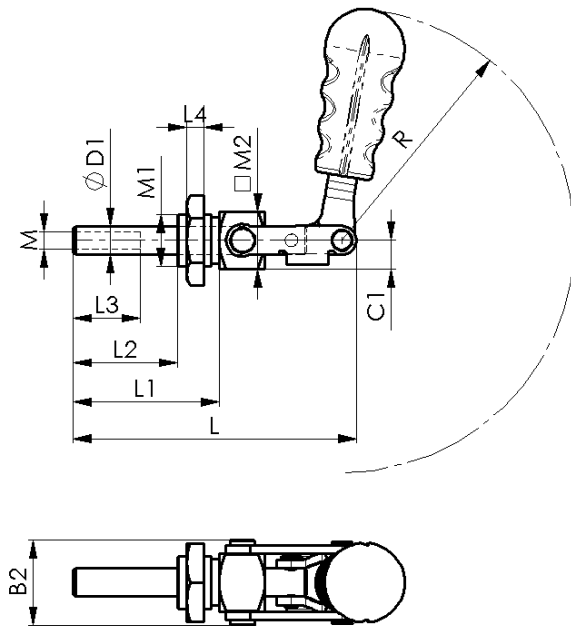
- Clamping spindle

Order no.	Article no.	A	A1	A3	A6	B	B1	C1	C2	D	D1	D2
390161	A9601M	16	33	7	10	16	27	12,7	12,7	4,4	6,5	11

Order no.	Article no.	L	L1	L2	L3	H	M	Stroke	Holdingforce [N]	Weight [kg]
390161	A9601M	68	88,5	35	12	35	4	16	450	0,05

Straight line action Clamp

Screw-in version



Characteristics:

- Front-side external thread for direct installation
- Push rod with internal thread
- Stainless steel rivets
- Galvanized and passivated
- Medium resistant plastic handle
- Push rod fine ground

Standard accessory:

- Clamping spindle

Optional accessory:

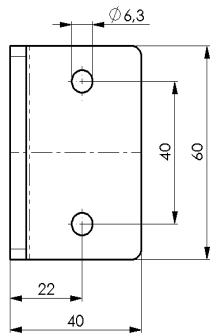
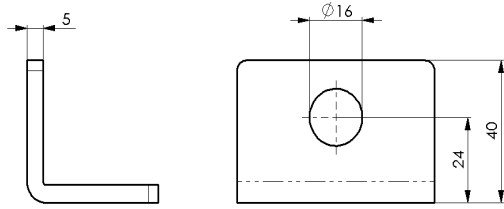
- Mounting angle

Order no.	Article no.	B2	C1	D1	L	L1	L2	L3	L4	Stroke
390179	A9602MM	26	9,5	9,4	64	33,5	20,7	15,8	6,4	19,7
390187	A9604MM	32,6	11	11	104	56	39,7	26	6,4	39

Order no.	Article no.	M	M1	M2	R	SW	Holdingforce [N]	Weight [kg]
390179	A9602MM	M6	M16x1,5	19	66,3	23	900	0,11
390187	A9604MM	M8	M20x1,5	19	90,5	30	1300	0,28

Mounting Base

For straight line action clamps with external thread

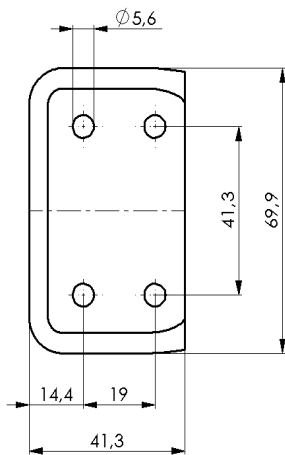
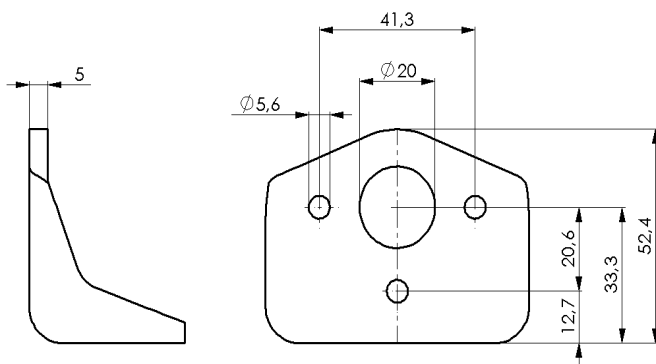


Order no.	Article no.
390203	A9602106M



Characteristics:

- Mounting angle for straight line action clamp A9602MM
- For direct installation of the straight line action clamp on fixtures
- The thickness of the material gives a high strength
- Galvanized and passivated



Order no.	Article no.
390211	A9604106M

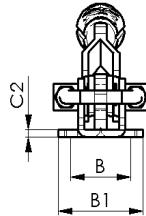
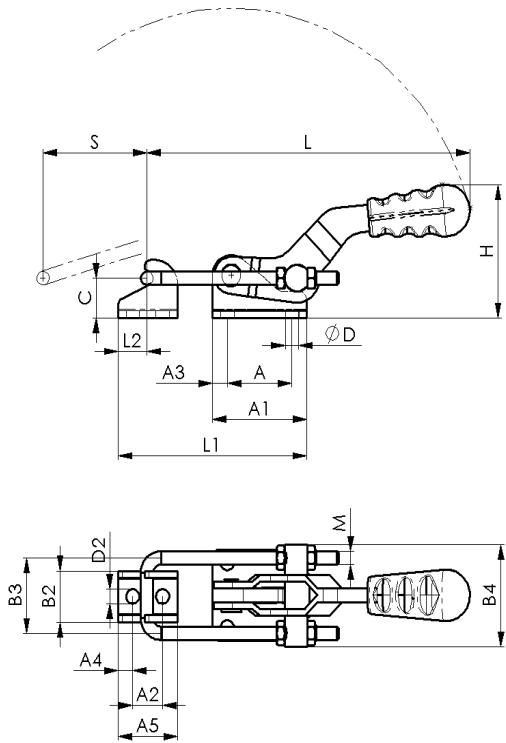


Characteristics:

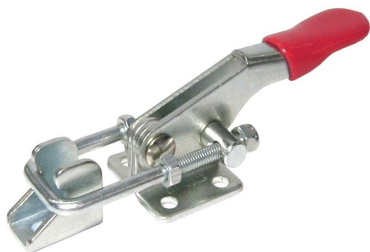
- Mounting angle for straight line action clamp A9602MM
- For direct installation of the straight line action clamp on fixtures
- The thickness of the material gives a high strength
- Galvanized and passivated

Latch clamps, horizontal

U-type with Counter catch



A9331
A9341



A9323M

Characteristics:

- Base mounting
- Bracket and Locknut completely mounted
- Stainless steel rivets
- Galvanized and passivated
- Ergonomic plastic handle, medium resistant

Standard accessory:

- Bracket
- Counter catch

Order no.	Article no.	A	A1	A2	A3	A4	A5	B	B1	B2	B3	B4	C	C2
390245	A9323M	16	26	10	5	6	20	19	28	13	19	28	12	2
390252	A9331	19	39,5	14,3	6,5	5,5	25,3	32	44,5	20	25,5	42	14	3
390260	A9341	41,3	60,5	19	9,6	9,5	38	38	54	30	44,5	60,5	23,8	4

Order no.	Article no.	D	D2	H	L	L1max.	L2	M	S	Holdingforce [N]	Weight [kg]
390245	A9323M	4,2	4,2	32	96	59	9	M4	27,5	1600	0,07
390252	A9331	6,7	6,7	56,5	151	80	12,3	M5	35,5	3200	0,25
390260	A9341	8,5	8,5	85	203	118	19	M8	66,5	7000	0,75